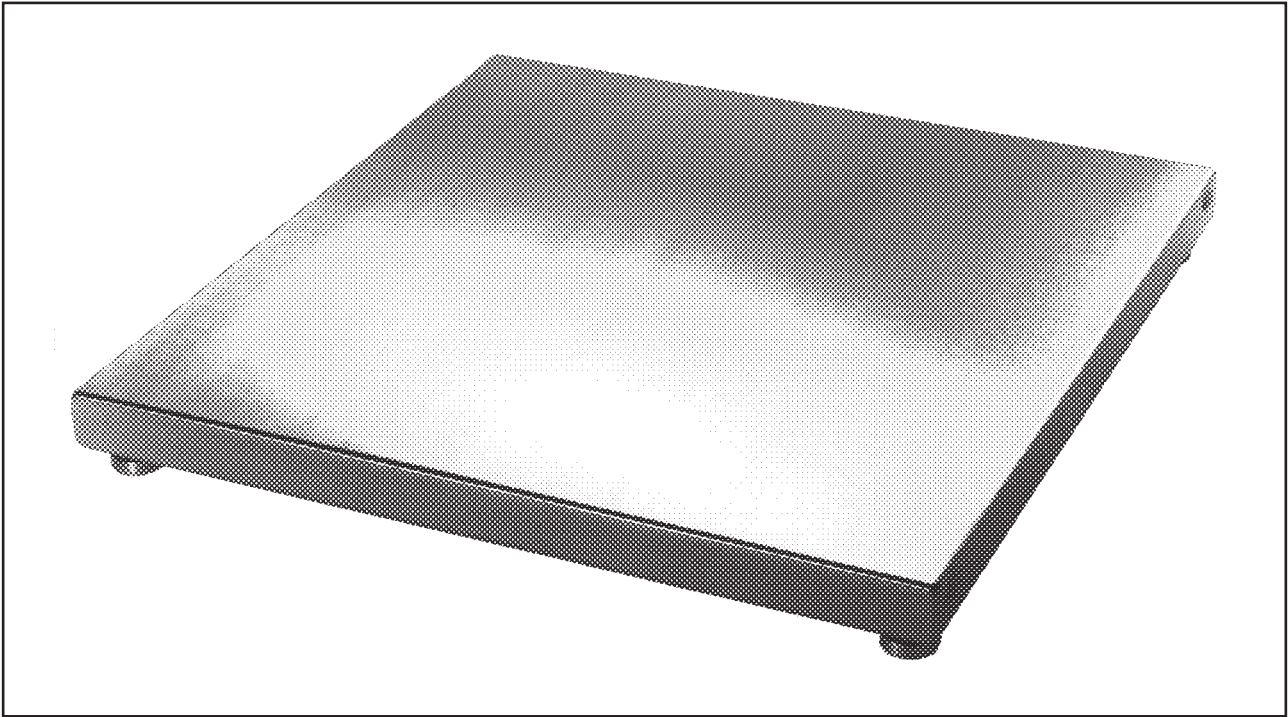


H400

portable platform scale



Description

General

Designed for surface mounting.

Low height platform with no projection above platform level.

Fabricated mild steel construction.

Four beam type, Avery Berkel precision load cells.

Stainless steel load cells offered as an option.

Load cells terminated in a junction box where they are matched. 5 m cable to the indicator provides a single load cell input. Longer cable is available as an option.

Termination is non-waterproof D-type connector, waterproof (IP68) connector or unterminated, as required to suit indicator specified.

Able to connect to all Avery Berkel indicators.

The H400 is approved to OIML R76.

The number of approved divisions is dependent on the load cell used.

Feet with stainless steel ball free-motion and screw height adjustment to allow high accuracy on uneven floors.

Specification

Capacities and Strengths

(See charts overleaf)

The number and weight value of the digital increments must have regard to local weights and measures regulations if stamping is required.

NOTE: When used with intrinsically safe indicators, please refer to the indicator specification sheet for minimum increment sizes.

NOTE: in high sensitivity applications where an increment of 0.05 kg is required, 125 kg capacity load cells may be specified as a non-preferred alternative. In this case the strength is reduced to 300 kg.

Additional care should be taken to guard against shock loading.

Maximum Strengths

Unless otherwise stated, maximum strength signifies that the bottomwork will carry this loading evenly distributed over the platform area.

Concentrated loadings on any line* across the platform must not exceed half the maximum strength unless stated to the contrary.

This is particularly important if fork lift and similar type trucks are used.

* Anything up to two wheels of loaded contact area 50 mm x 100 mm, at least 500 mm apart, can be considered as a 'line' for this purpose.

This also assumes a rubber-tyred wheel or equivalent. The loading from steel, cast metal or single wheels is much greater and could damage the platform. It is recommended that these are checked out individually.

Mild Steel & Stainless Steel with T203 or T204 Load Cells

| Platform Size | Strength* | | |
|---|---------------------|---|---|
| | 900 kg | 1800 kg | 3000 kg |
| 0.75 m x 0.75 m | ● | ● | – |
| 1 m x 1 m | ● | ● | – |
| 1.25 m x 1 m | ● | ● | – |
| 1.25 m x 1.25 m | ● | ● | ● |
| 1.5 m x 1.25 m | ● | ● | ● |
| 1.5 m x 1.5 m | ● | ● | ● |
| Load Cell | T203, 250 kg | T203, 500 kg | T204, 1500 kg |
| Capacities† | 300/400 kg x 0.1 kg | 600/800 kg x 0.2 kg 1500 kg x 0.5 kg | 1500/2000 kg x 0.5 kg 3000 kg x 1 kg |
| Optional (Extra Cost) Capacities | 600 kg x 0.1 kg | 1200 kg x 0.2 kg | 3000 kg x 0.5 kg |

Stainless Steel with T201 Load Cells

| Platform Size | Strength* | | |
|---|------------------------------------|-------------------------------------|---|
| | 800 kg | 1600 kg | 3000 kg |
| 0.75 m x 0.75 m | ● | ● | – |
| 1 m x 1 m | ● | ● | – |
| 1.25 m x 1 m | ● | ● | – |
| 1.25 m x 1.25 m | ● | – | ● |
| 1.5 m x 1.25 m | ● | – | ● |
| 1.5 m x 1.5 m | ● | – | ● |
| Load Cell | T201, 225 kg | T201, 1100 kg | T201, 1100 kg |
| Capacities† | 300 kg x 0.1 kg | 600 kg x 0.2 kg 1500 kg x 0.5 kg | 600 kg x 0.2 kg 1500 kg x 0.5 kg 3000 kg x 1 kg |
| Optional (Extra Cost) Capacities | 400 kg x 0.1 kg 500 kg x 0.1 kg | 800 kg x 0.2 kg 1000 kg x 0.2 kg | 800 kg x 0.2 kg 1000 kg x 0.2 kg 2000 kg x 0.5 kg 2500 kg x 0.5 kg |

* Capacity must not exceed strength.

† Maximum number of increments 10000, subject to Weights and Measures and performance requirements.

Finish

Mild Steel Platform

Dark grey hammer stoving paint.

Mild Steel and Stainless Steel Platforms

Stove enamelled aluminium junction box.

Approvals

All data relating to the performance of the machine meets and exceeds requirements of EN45501 : 1992 European Approval ('E' Approval) Accuracy Class III machines

Environment

Operating Temperature

-10°C to 40°C (ambient).

Storage Temperature

-10°C to 60°C (ambient).

Resistance to Dirt & Moisture

Hoseproof and sealed to IP67.

Options

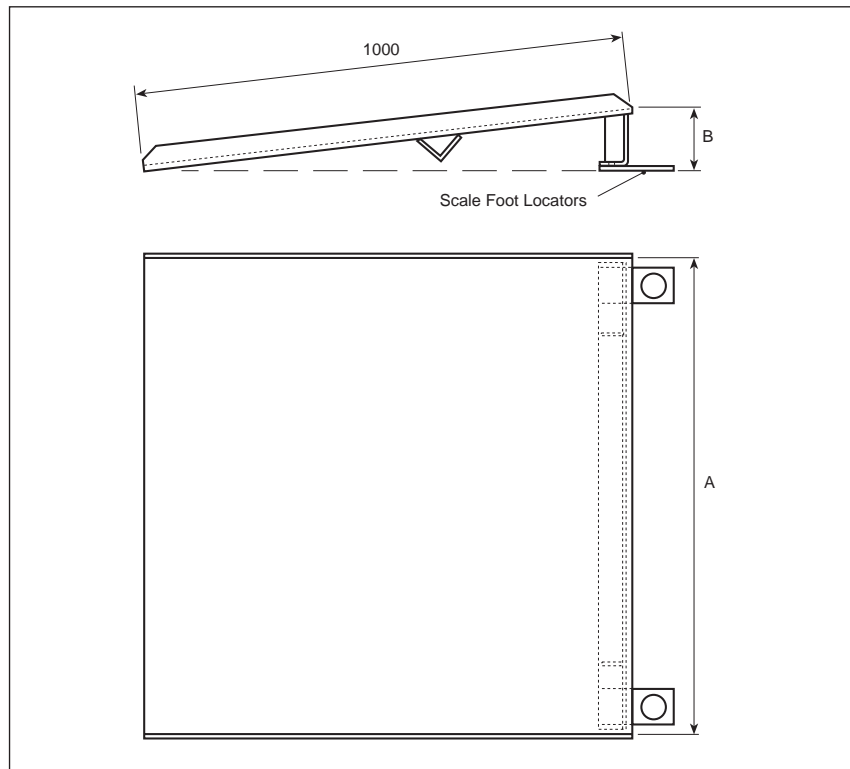
1. Grade 304L (BS 1449 Part 2; Euronorm 88) stainless steel construction throughout the platform using T203 load cells. Finish: Aluminium oxide grit blasted and acid cleaned.
2. Grade 304L (BS 1449 Part 2; Euronorm 88) stainless steel construction throughout the platform and stainless steel load cells T201 (IP68). Finish: Aluminium oxide grit blasted and acid cleaned.
3. Stainless steel load cells with 4000 or 5000 increments.
4. **CENELEC Approved**
Refer to indicator specification sheet.
5. **Non-Standard Sizes**
1800 kg strength - size range 0.75 m² to 1.25 m².
3000 kg strength - size range 1 m² to 1.5 m².
6. Load cell kit for local manufacture comprising load cells, foot assemblies, junction box and interconnecting cable.

Shipping Specification

| Platform Size | Net | Gross | Measurement |
|-------------------|--------|--------|----------------------------|
| 750 mm x 750 mm | 50 kg | 55 kg | 910 mm x 910 mm x 300 mm |
| 1000 mm x 1000 mm | 85 kg | 95 kg | 1200 mm x 1200 mm x 330 mm |
| 1250 mm x 1000 mm | 95 kg | 110 kg | 1400 mm x 1200 mm x 330 mm |
| 1250 mm x 1250 mm | 110 kg | 130 kg | 1350 mm x 1350 mm x 330 mm |
| 1500 mm x 1250 mm | 130 kg | 150 kg | 1600 mm x 1350 mm x 330 mm |
| 1500 mm x 1500 mm | 150 kg | 170 kg | 1600 mm x 1600 mm x 330 mm |

Ramp Dimensions

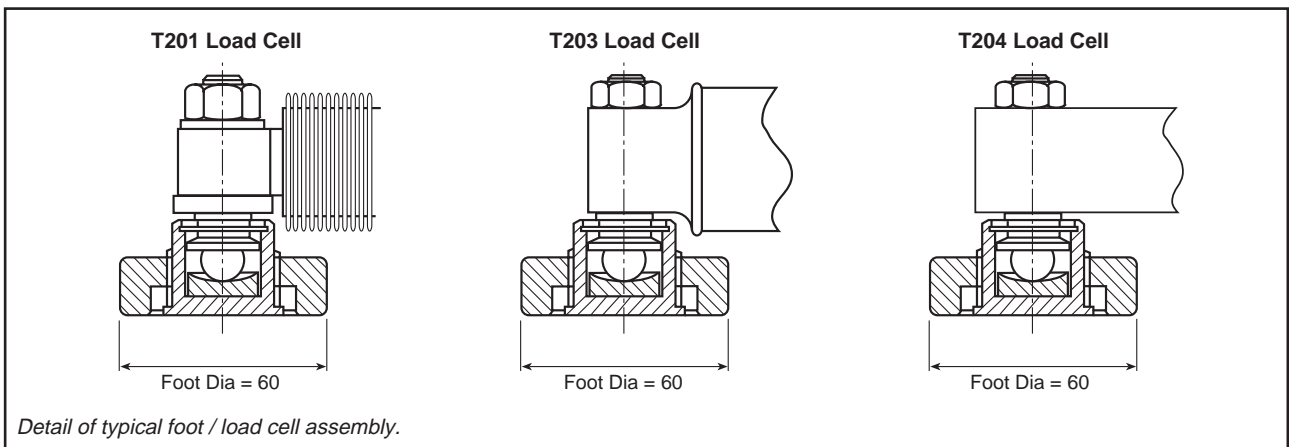
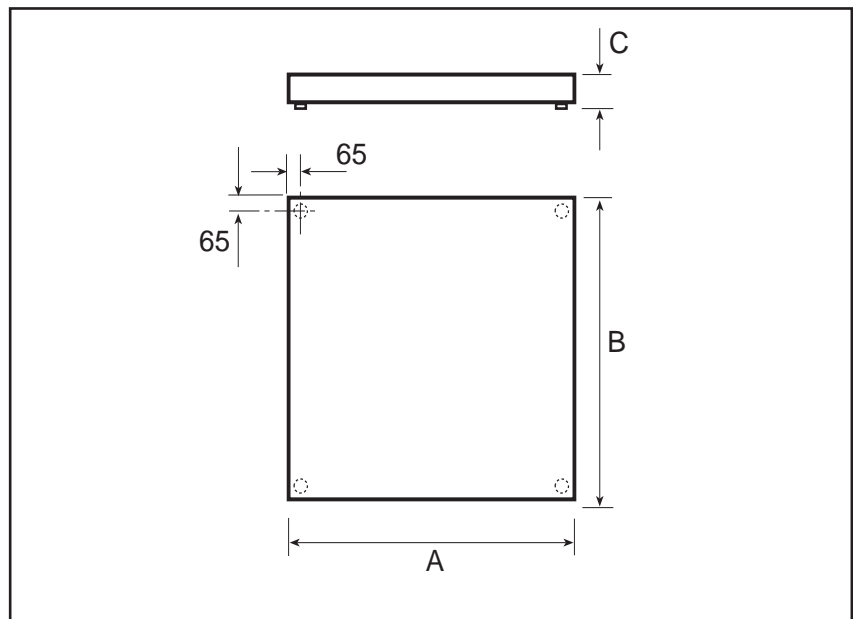
A = 750 mm | 1000 mm | 1250 mm | 1500 mm
 B = 90 mm



7. 10 m interconnecting cable.
8. **Mild Steel Ramp**
For use with mild steel construction platforms.
9. **Stainless Steel Ramp**
For use with stainless steel construction platforms.
10. **Up to 6000 Divisions**
Approved with T203 and T204 load cells using Avery Berkel indicators.
11. **Up to 5000 Divisions**
Approved with T201 load cells.
12. **Hard Anodised T203**
Maximum approved divisions 4000).
13. **Pit Mounting Kit**
For use with 1.25 m x 1.25 m or above, stainless steel platforms.

Dimensions

| Platform Size (A x B) | Weight (Approx) kg | With 250 kg T203 Load Cell C mm | With 225 kg / 1100 kg T201 Load Cell C mm | With 500 kg T203 Load Cell C mm | With 1500 kg T204 Load Cell C mm |
|--------------------------|--------------------------|---------------------------------------|---|---------------------------------------|--|
| 0.75 m x 0.75 m | 50 | 82 | 86 | 87 | 83 |
| 1 m x 1 m | 85 | 82 | 86 | 87 | 83 |
| 1.25 m x 1 m | 95 | 82 | 86 | 87 | 83 |
| 1.25 m x 1.25 m | 110 | 82 | 86 | 87 | 83 |
| 1.5 m x 1.25 m | 130 | 82 | 86 | 87 | 83 |
| 1.5 m x 1.5 m | 150 | 82 | 86 | 87 | 83 |



This brochure contains a general guide only of the product and shall not form part of any contract unless specifically agreed by Avery Berkel in writing in each case on the Order Acknowledgement. The specification of the products described herein may vary from time to time and may be altered without notice.

Your local distributor:



E mail: info@averyberkel.com
Internet: <http://www.averyberkel.com>

Foundry Lane, Smethwick,
West Midlands, England B66 2LP.
Tel: +44 (0)870 90 34343 Fax: +44 (0)121-555 6062