

# S133

## Bench Scale



- **Display** – 52 mm / 2" high, 7 segment LCD display with LED annunciator and configurable backlight
- **Keyboard** – Seven simple to use, large keys
- **Robust Base** – 520 mm x 420 mm / 20.5" x 16.5" die cast aluminium base with stainless steel shroud
- **Totalizing Functionality** – Allows the number of weighings and the total amount of weight to be stored and recalled
- **Power** – Powered by either the internal rechargeable battery or via the external power adapter
- **RS-232 Option**
- **Checkweighing Mode** – Configurable audible alarm for targets and three visual LED annunciators for under, over, or accept
- **OIML Approved** – 3000 division approved; 6000 divisions unapproved

# S133 Bench Scale

## Specifications

### Capacities:

60 kg x 0.01 kg (unapproved)  
150 kg x 0.02 kg (unapproved)  
300 kg x 0.05 kg (unapproved)

60 kg x 0.02 kg (approved)  
150 kg x 0.05 kg (approved)  
300 kg x 0.1 kg (approved)

**Tare:** 100% subtractive

**Display:** 5 1/2 digit 7 segment LCD with configurable backlight and icons for gross, net, tare, zero, kg, stable, low battery

**Construction:** Die cast base, ABS plastic indicator, 520 mm x 420 mm / 20.5" x 16.5" stainless steel platter and 660 mm / 26" column. Four adjustable feet and level indicator at base of pole to ensure maximum stability

**Adjustable Indicator:** Mounted to a stainless steel column that can be tilted throughout approximately 150° range for easy visibility

**LED Annunciators:** Over; Under; Accept

**Key Functions:** Gross/Net; Print; Memory Recall; Accumulate; Tare; Zero; Power On/Off

**Check Weighing:** Simple check weighing feature with built in annunciators for target setting and configurable audio alarm

### Product Code:

816965004652: 60 kg (unapproved)  
816965004669: 150 kg (unapproved)  
816965004676: 300 kg (unapproved)

AWT05-504543 (approved)  
AWT05-504544 (approved)  
AWT05-504545 (approved)

### RS-232 Kit Option:

AWT25-800002

**Weight Accumulation and Totalizer:** Allows the number of weighings and the total amount of weight to be stored and recalled

**Power Adapter:** 120/220VAC @ 60/50 HZ, 9 VDC, 800mA, CE approved external power adapters

**Internal Rechargeable Battery:** 6 VDC rechargeable battery. 12 hours to fully charge the scale. Approximately 20 hours of continuous battery life

**Operating Temperature:**  
-10° C to 40° C / 14° F to 104° F

**Operating Humidity:** 0 to 85% RH (non-condensing)

**EC Type Approval Certificate Number:** UK2863

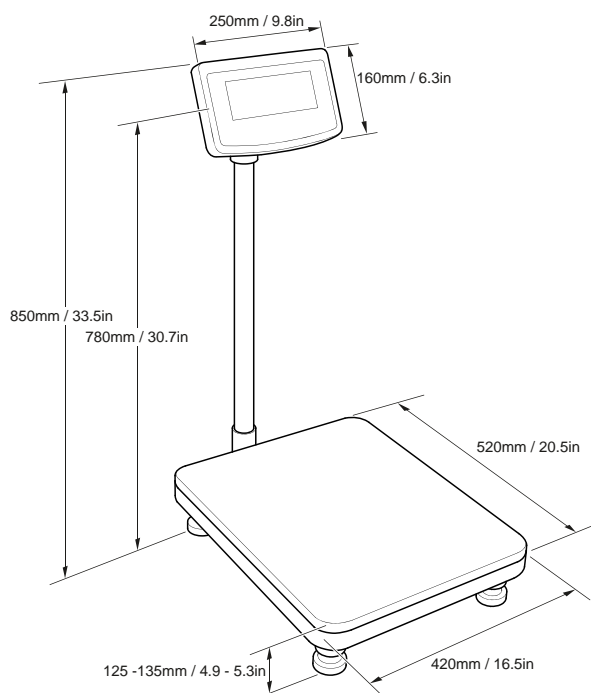
**OIML Certificate Number:** R76/1992-GB1-09.08

### Shipping Specifications:

Net – 13.5 kg / 29.8 lb  
Gross – 16.4 kg / 36.2 lb

### Package Dimension:

820 mm x 590 mm x 250 mm / 32.3" x 23.2" x 9.8"



a division of Avery Weigh-Tronix, LLC

### Brecknell

1000 Armstrong Dr., Fairmont, MN 56031  
Toll free: 800-637-0529, Tel: 507-238-8702  
Fax: 507-238-8271  
e-mail: sales@brecknellscales.com  
www.brecknellscales.com



### Brecknell

Foundry Lane, Smethwick  
West Midlands B66 2LP UK  
Tel: +44 (0) 845 246 6717  
Fax: +44 (0) 845 246 6718  
Email: sales@brecknellscales.co.uk  
www.brecknellscales.co.uk

