

# Videojet Unicorn<sup>®</sup> II

Large Character Ink Jet Printer

## Ink Jet.

Laser.

Thermal Transfer.

Labelers.

Track & Trace.

Supplies.

Parts & Service.

The Unicorn II is a compact ink jet printer that provides high quality, reliable, and economical printing of one or two lines of text. Whatever your programming needs, the Unicorn II can be programmed quickly and easily. Product names, identification numbers, automatic production counts and accurate-to-the minute time code capabilities are available at the touch of a button.

## Up to two lines of print with built-in multiple languages

- Print one or two lines of text using a variety of selectable languages and printable characters
- Marks cartons and provides production information vital for inventory and quality control
- Easy-to-use icon keys allow you to adjust and edit product codes with a few simple keystrokes
- Menu-driven programs include electronically accurate automatic date change, clock functions, and consecutive counts

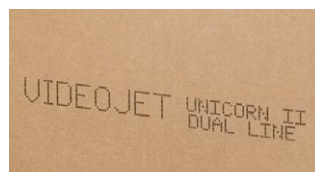


## Most economical cost per code solution

- Delivers an all-in-one, low cost solution from high ink mileage and low maintenance requirements
- Hard-working design provides outstanding reliability and unsurpassed performance

## Out of the box and on the job in minutes

- Can be assembled and installed in minutes; simply plug it in and you are ready to print
- Mounted directly to a conveyor, it includes: controller/keypad, printhead, power pack, power cord, mounting brackets and a pressurized ink bottle



**System Includes**

Controller/Input Device; Printhead; Universal Power Supply; Mounting Bracketry and a bottle of Porous Ink

**Built-in Software Features**

- Customized time and date codes
- Rollover hour
- Expiration date for automatic printing
- Shift organizer for automatic coding by particular shifts (up to 4 shifts)
- Print delay for message placement
- Character width adjustment
- Variable speed or fixed speed printing
- Consecutive incremental numbering

**Operating Languages**

Dutch, English, Finnish, French, German, Italian, Portuguese, Spanish, Swedish, Norwegian, Turkish, Hungarian  
Additional printable characters: Cyrillic, Arabic, Hebrew, Polish  
Special application units include: Japanese, Korean, Simplified Chinese; Traditional Chinese, Thai

**Print Heights**

Standard Print Height: 1 inch (25mm)  
Optional Heights: ¾ inch (20 mm), 1 ¼ inches (32mm), 1.9 inches (48mm)

**Character Fonts**

7x5 dot matrix, 16x16 dot matrix

**Conveyor Line Speed**

20 feet/min. (6.1 m/min.) to 200 feet/min. (61.0 m/min.)

**Message Length**

Up to 40 characters of 16 dot font or two 80 character rows of 7 dot font

**Message Storage Capacity**

Up to 40 messages

**Operating Temperature Range**

40°F to 120°F (4°C to 49°C)

**Electrical**

System uses a universal switching power supply. 100/240VAC at 50/60Hz

**Print Sensor**

Internal sensors included; external sensor is optional

**Ink System**

Internally regulated ink system; factory set; no adjustment necessary

**Ink**

8 oz. (0.23 liter) bladder pressurized, non-aerosol ink bottle  
Optional Bulk Ink option (5 gal.) available; ADS Ink System required

**Shipping Weight**

11.45 lbs. (5.19 kg)

**Mounting Bracketry**

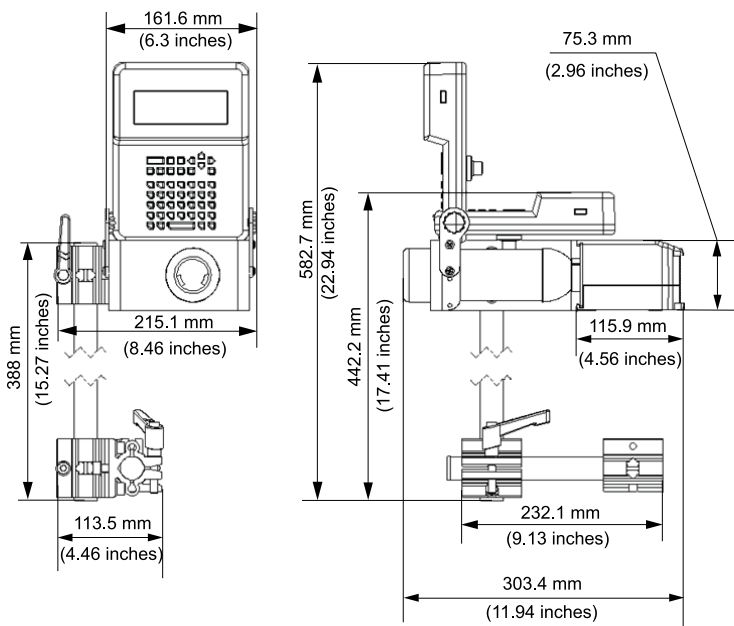
15 and 9 inch (38.9 and 22.8cm) tubing with 1 inch (2.54cm) outside diameter (OD)  
Optional hand levers can be installed for simple up/down and in/out adjustments

**Optional Bracketry for Special Installations**

Long Reach Bracket Kit available for special mounting situations



**Dimensions**



800-843-3610

[www.videojet.com](http://www.videojet.com) / [info@videojet.com](mailto:info@videojet.com)

Videojet Technologies Inc. / 1500 Mittel Blvd.

Wood Dale IL 60191-1073 / USA

Phone 630-860-7300 Fax 630-616-3623

